



Rubber to metal bonded parts for industrial applications

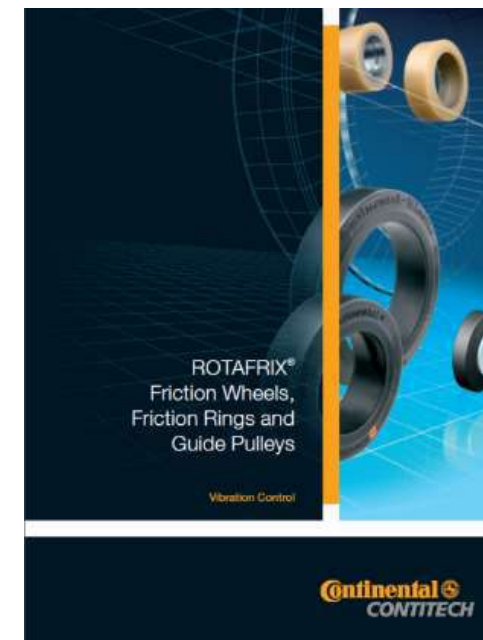
CT AD MSS INSO

ContiTech AD MSS INSO

Strong Brands with Tradition

ContiTech

SCHWINGMETALL®, **MEGI®** & **Rotafrix®** : Leading brands in the industry



Wide range of standard parts

Classic	Classic Plus	Premium (SM®)
<ul style="list-style-type: none">➤ Compression Mounts➤ Railstrips➤ Impact Mounts	<ul style="list-style-type: none">➤ Cone Mounts➤ Machine Mounts➤ Flange Mounts➤ Inclined Mounts➤ Torsion Mounts➤ Special Mounts<ul style="list-style-type: none">➤ Bell Mounts and Ceiling-mounts➤ Instrument Mounts➤ Heavy-Duty Mounts and MEGI bearings➤ Shear Mounts and U-V-W Parts	<ul style="list-style-type: none">➤ Hydromounts V Series➤ Hydromounts K Series

Product Examples:



Compression Mount



Flange Mount



Cabin Mount



Heavy-Duty Mounts



Hydro Mount

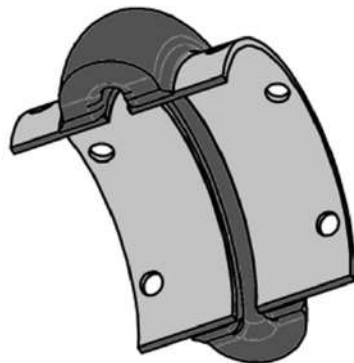
Product examples

Compressors

ContiTech



Engine Mount



Coupling



Industrial Applications

Industrial Markets

Machines and Engines

Marine powertrain
Mobile and stationary machines
Compressors &
Aircondition Systems

Examples



centrifuges



plant engineering



compensators



marine

Other key markets

Food processing
Power generation
Laundry industry
Power tooling
Others

Examples



chainsaws

wind power plant



industrial washing machines



food processing machines

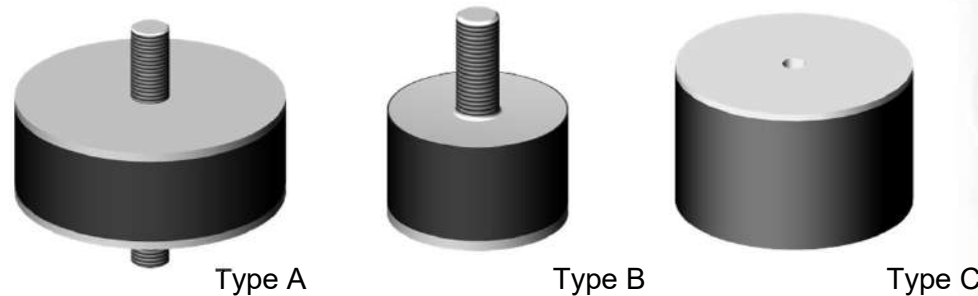
Industrial Applications

Strong Brands with Tradition

Product Range Classic **SCHWINGMETALL®** and **MEGI®**

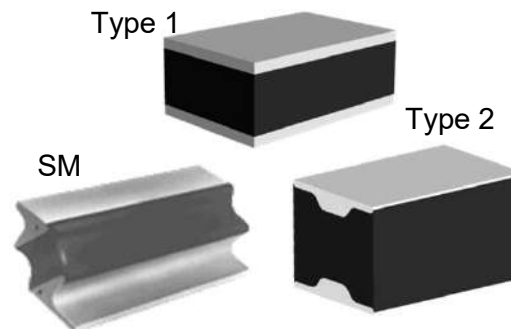
Compression Mounts

- ▶ standard elements with multiple applications
- ▶ are able to work under pressure and shear
- ▶ different metal fittings and various design options



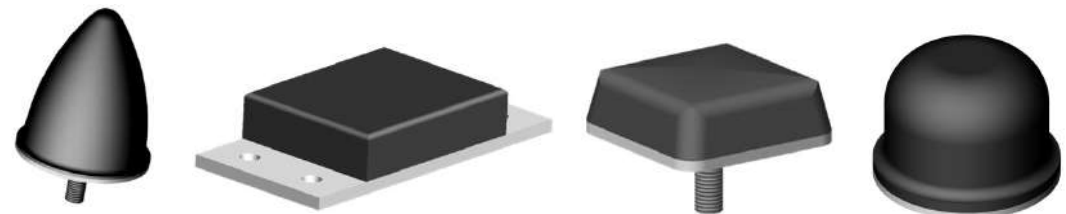
Rail strips

- ▶ ideal for cushioning when position of center of gravity is asymmetric
- ▶ universal cushioning mounts for very heavy loads
- ▶ adaptation to different loads by modifying rail strips length



Impact Mounts

- ▶ buffer element for absorption of energy
- ▶ different metal fittings and various design options



Industrial Applications

Strong Brands with Tradition

Product Range Classic **SCHWINGMETALL®** and **MEGI®**

Dome Mounts / Machine Mounts

- ▶ universally applicable mounts for aggregates of medium load
- ▶ Good radial stability due to high radial stiffness, related to the axial stiffness
- ▶ In all directions end stops and tear off protection when stop washers are used



Dome Mounts / Machine Mounts

- ▶ equal spring stiffness in vertical and horizontal directions
- ▶ variants: tear-off protection, level adjustment
- ▶ no fixing to the ground necessary



Dome Mounts C-Series

- ▶ different stiffness in three main axis
- ▶ disposes bump stops
- ▶ enables soft mounting
- ▶ high spring ways allow low natural frequencies



Industrial Applications

Strong Brands with Tradition

Product Range Classic Plus SCHWINGMETALL®

Flange Mounts

- ▶ easily realized and stable mounting solution
- ▶ for high impact forces in vertical direction
- ▶ thrust plates at the upper and lower ends are required to protect the mount from tearing off



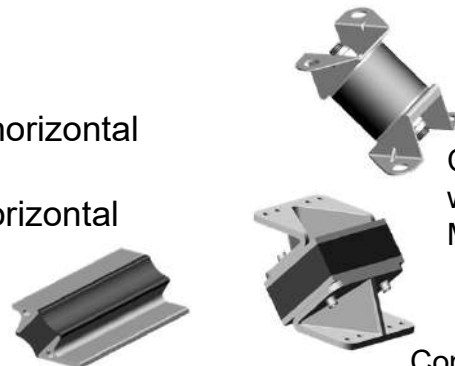
Flange Mounts Series B

- ▶ thrust plates at the upper and lower ends are required to protect the mount from tearing off
- ▶ simple center-bolt mounting
- ▶ mainly acoustic isolation



Inclined Mounts

- ▶ same cushioning characteristics in horizontal and vertical direction
- ▶ high stability of cushioned load in horizontal direction
- ▶ low natural frequency



Angled Railstrips

Combi Mounts with Compression Mounts

Combi Mounts with Railstrips



Industrial Applications

Strong Brands with Tradition

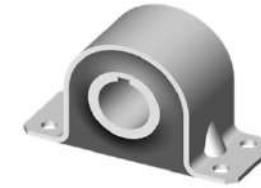
Product Range Classic Plus SCHWINGMETALL® and MEGI®

Torsion Mounts

- ▶ impact-free transmission of torque
- ▶ flexibility of the bush allows small misalignments of the both shaft ends
- ▶ axial, radial, torsional and cardanic movements



Torsion Bushings



Torsion Mounts



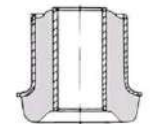
Ring Mounts

Torsion Mounts / Bushes

- ▶ radial pressure, axial pressure, torsion, cardanic, compound loads
- ▶ the outer and inner tubes must be tightly fixed to transmit torsion torques and axial forces
- ▶ AS bushes have more axial strength as HL bushes



HL Bushes



AS Bushes

Bell & Ceiling Mounts

- ▶ tear-off protected mount
- ▶ designed for static tensile loading
- ▶ impact isolation
- ▶ ceiling mounts with internal and external threaded joint



Bell Mounts



Ceiling-mount



Industrial Applications

Strong Brands with Tradition

Product Range Classic Plus SCHWINGMETALL® and MEGI®

Instrument Mounts

- ▶ for soft mounting of small masses
- ▶ same stiffness in lateral and vertical direction



Heavy-duty mounts for aggregates

- ▶ static loads operate in z direction, therefore:
 - ▶ comfortable coordination in vertical direction
 - ▶ stability in machine direction
 - ▶ softness in cross direction



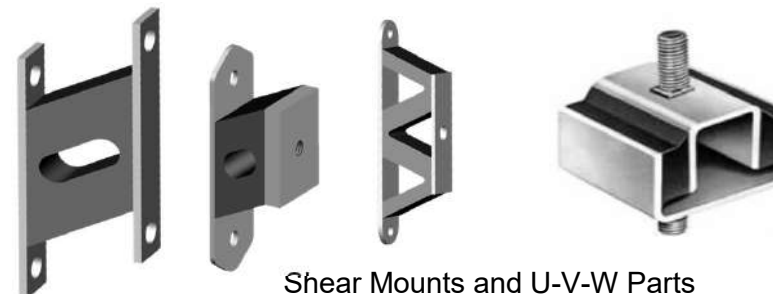
Heavy-Duty Mounts



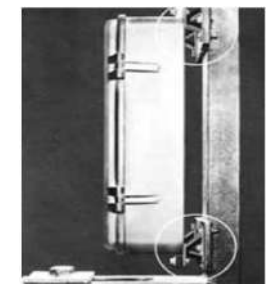
MEGI bearings

Shear Mounts and U-V-W Parts

- ▶ for soft mounting of small masses at low natural frequencies
- ▶ are widely used for the elastic bearing of sensitive instruments that must be protected against vibration/shock
- ▶ can be loaded by pressure as well as by shear



Shear Mounts and U-V-W Parts



Industrial Applications

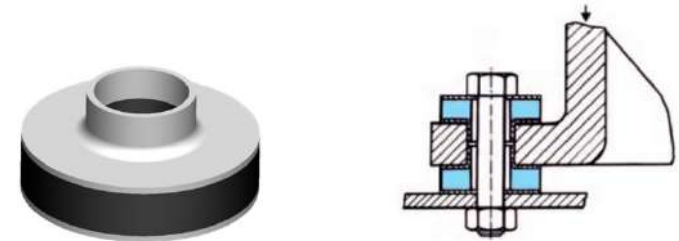
Strong Brands with Tradition

ContiTech

Product Range Classic Plus **MEGI**[®] Special Mounts

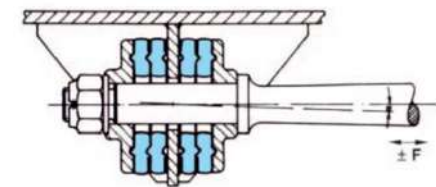
Ring Buffer

- ▶ can be combined into a spring loaded/compression spring package
- ▶ simple fixing



MEGI-flex

- ▶ high specific compressive load capacity
- ▶ absorption characteristics can be adjusted by combining several elements
- ▶ can be combined into a spring loaded/compression spring package



Industrial Applications

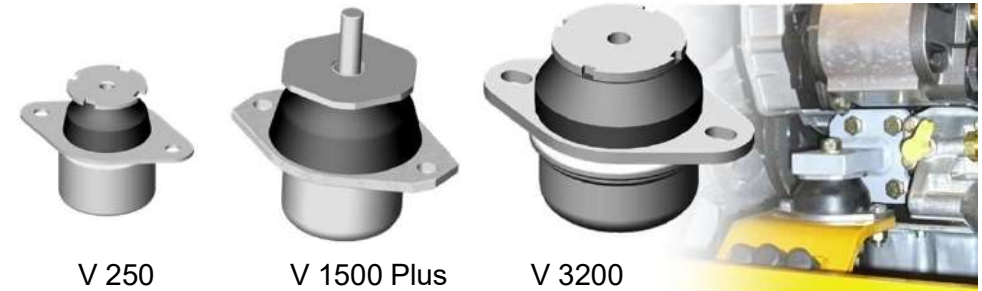
Strong Brands with Tradition

ContiTech

Product Range Premium Schwingmetall®

Hydro-mounts V Series and V plus Series

- ▶ mount with integrated hydraulic damping system
- ▶ integrated bump stops



V 250

V 1500 Plus

V 3200

Hydro mounts Series K

- ▶ non-tear-off hydraulic cone mount with high lateral stiffness and hydraulic damping in the vertical direction
- ▶ integrated bump stops tensile and compression direction
- ▶ High stiffness in lateral direction

K 3500 LT



K 3500



Hydrobush

- ▶ integrated bump stops
- ▶ mount with integrated hydraulic damping system in vertical direction



Industrial Applications

Strong Brands with Tradition: SCHWINGMETALL® and MEGI®

Product examples:

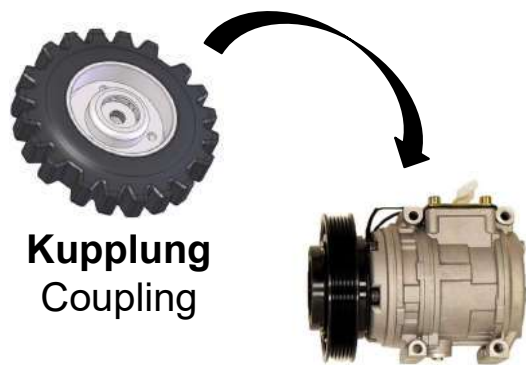
- engine mounts for ships
- machine mounts for stationary applications
- generator mounts
- ...

Areas of application:

- stationary and mobile power trains
- compressors
- power plants
- ...



Other Products



Kupplung
Coupling



Kupplung
Coupling



Motorlager
Engine Mounts

Industrial Applications

Strong Brands with Tradition

Rotafrix®

Friction Rings and Friction Wheels and Guide Pulleys

- ▶ maintenance-freedom
- ▶ high durability
- ▶ low-noise

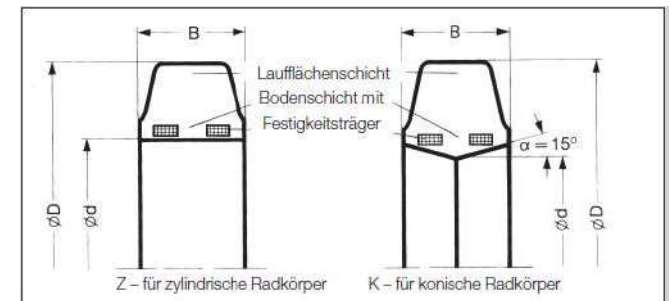
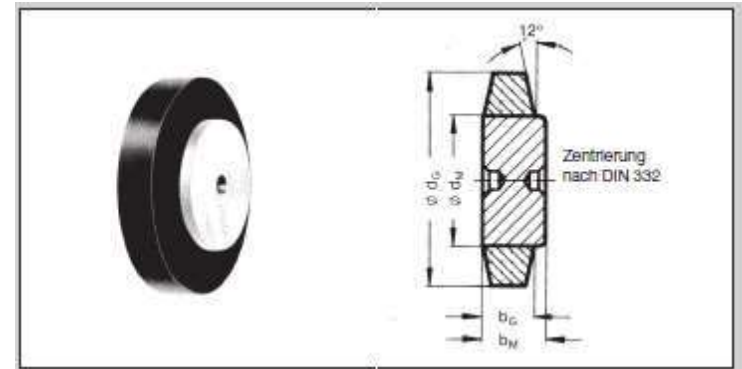


Abb. 2

ROTAFRIX® Reibringe

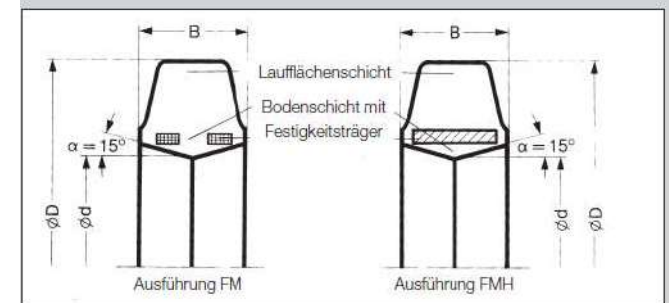


Abb. 3

ROTAFRIX® Führungsrollen

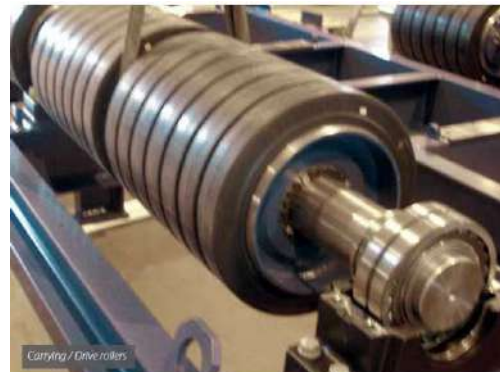
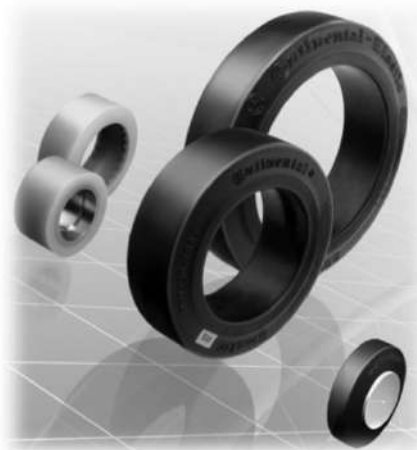
Industrial Applications

Strong Brands with Tradition

Range of Application - **Rotafrix**®

Friction Wheels, Friction Rings and Guide Pulleys:

- ▶ Drive technology
- ▶ Rolling-contact drives
- ▶ Drum drive



Metso rubber roller mills

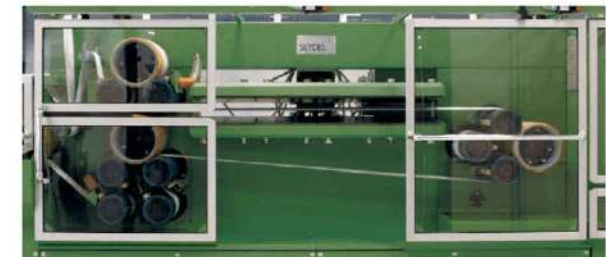
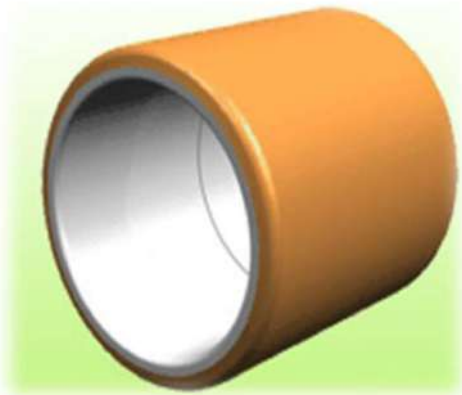


Industrial Applications Other Ranges

Polyurethane-Rollers (Vulkollan)

PU - Products

- ▶ maintenance-freedom
- ▶ high durability
- ▶ Low-noise



Industrial Applications

Other Ranges

ContiTech

Hollow Springs

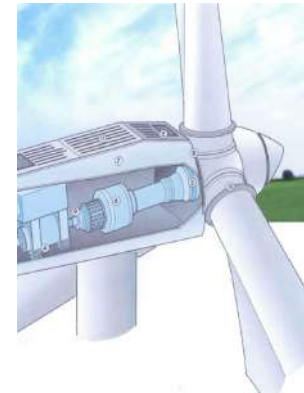
- ▶ Maintenance-freedom and high durability
- ▶ Temperature-resistant, weatherproof and withstands ageing
- ▶ High degree of isolation
- ▶ Low natural frequency (high suspension)



③ Elastomer Springs



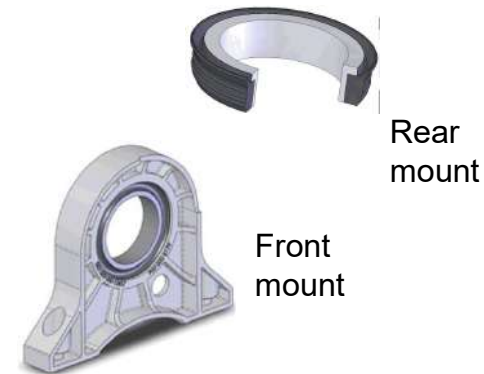
1100 120.02, Hafen Aboverpan



BSH Bosch Siemens Haushaltsgeräte

Front and rear mounts for domestic dryers.
Speciality: 2 K front mount PA – Rubber

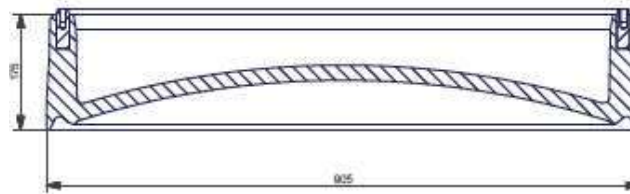
Production Location:
ContiTech Vibration Control Slovakia



Jensen / Lavatec

Rubber Cushions for dewatering presses

Production Location:
ContiTech Vibration Control Slovakia



Kannegießer

Friction Wheels:
Drum drives for washing machines and dryers

Production Location:
ContiTech Vibration Control Slovakia



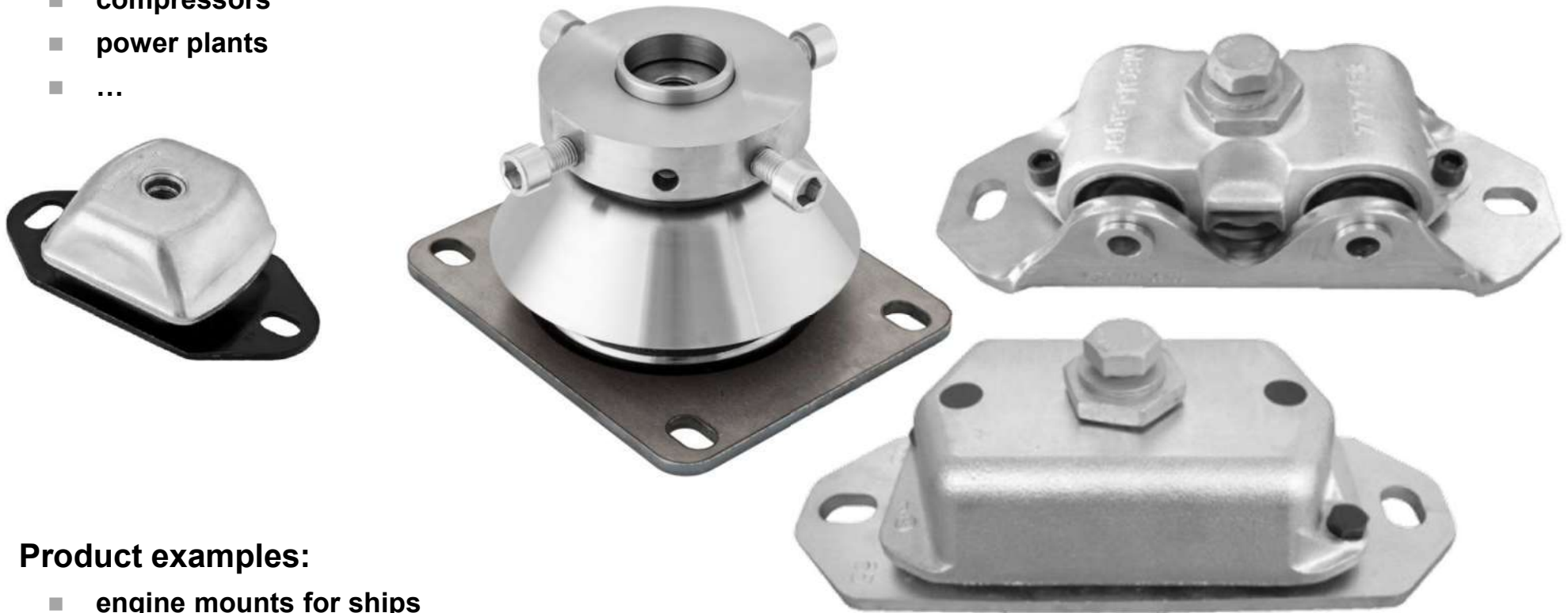
Product portfolio

Machines and engines

ContiTech

■ Areas of application:

- stationary and mobile power trains
- compressors
- power plants
- ...



■ Product examples:

- engine mounts for ships
- machine mounts for stationary applications
- generator mounts

Thank you